

IJA Type-89 intermediate type conversion

353028
for FineMolds kits

1/35 scale

minor 

3D printed parts
Made in Spain 2026
www.minormodels.com

CAUTION This product contain small pieces,
not suitable for childrens under 10 years

 Bend
 Symmetrically (Both sides)
 **OP** Optional
 **I** Put into
 Original parts
 minor kit parts
 Scratchbuilt or modified parts
 **R** Repeat on all similars

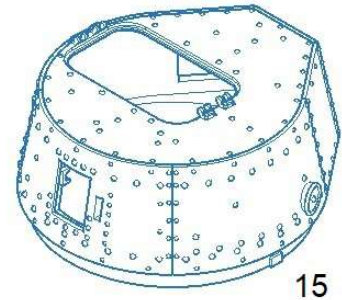
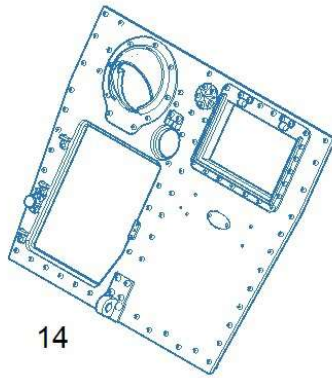
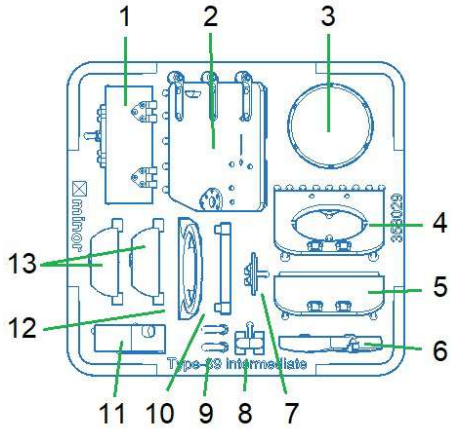
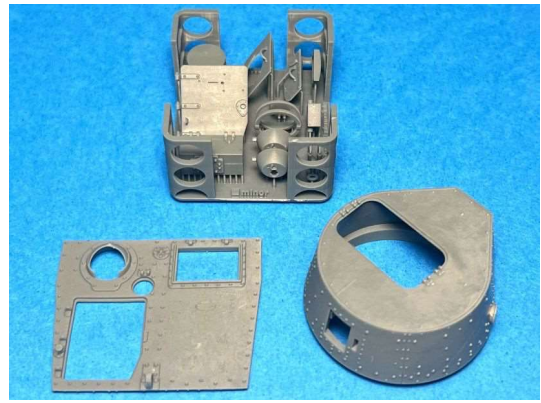


fig.1- replacement of STEP2 part1

fig.2- replacement of STEP2 part2

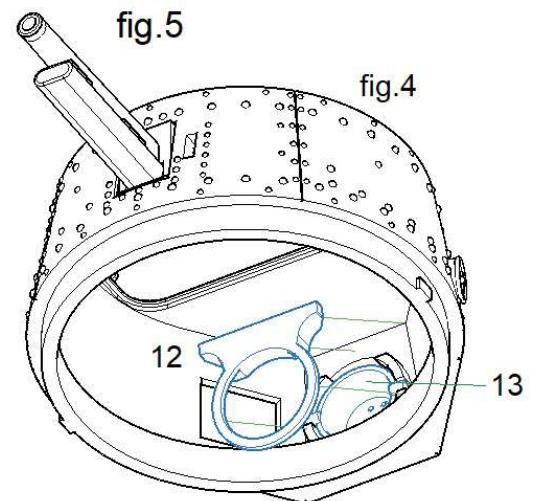
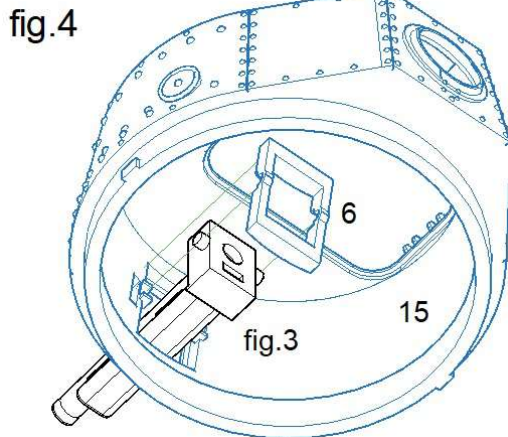
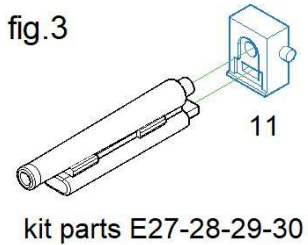
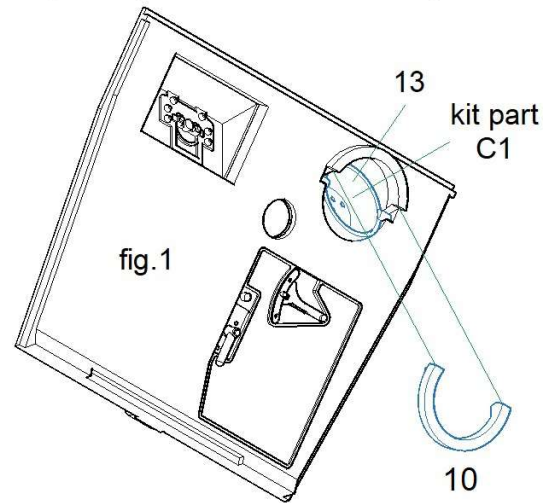
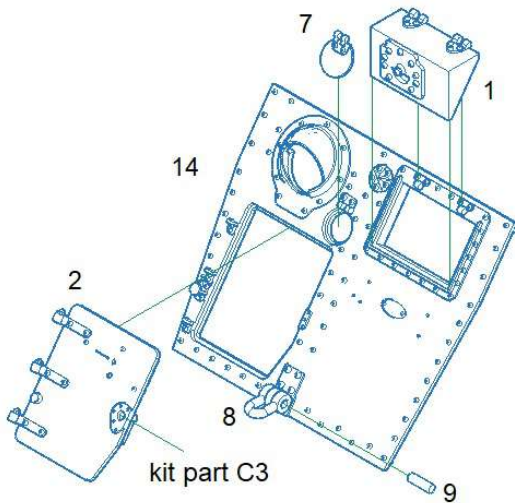


fig.6

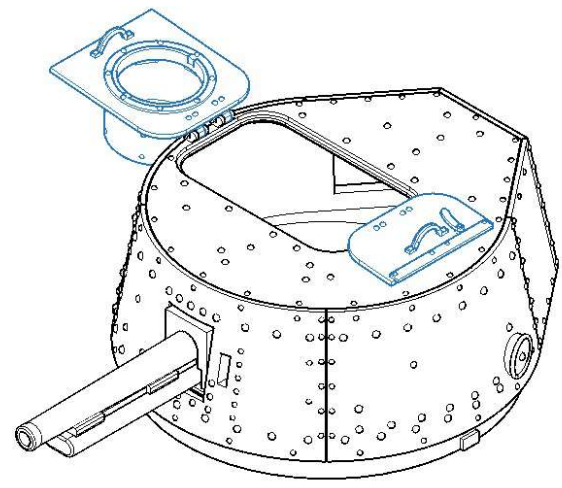
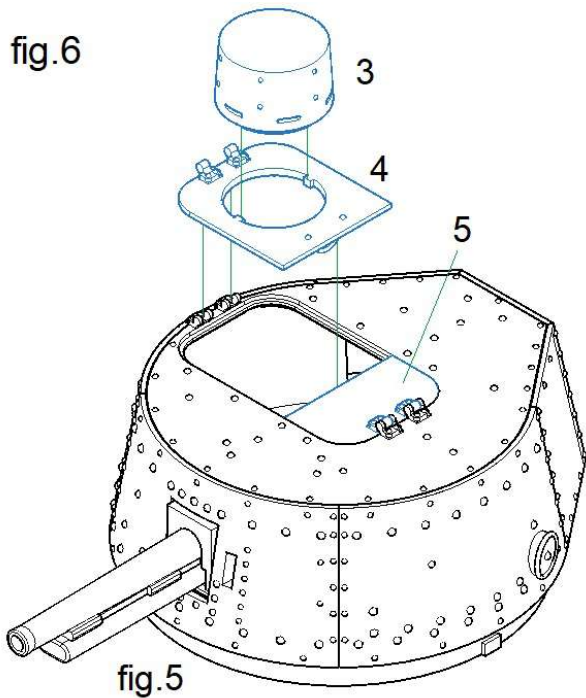


fig.5

